



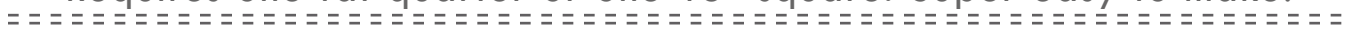
DAISY JANIE 
organic fabrics for hobby & home

and patterns, too!

pattern for fabric produce bag



Requires one fat quarter or one 18" square. Super easy to make!

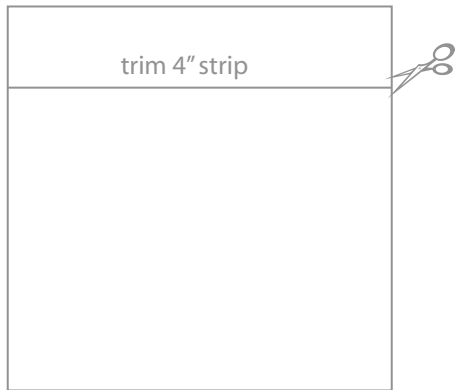


www.daisyjanie.com

© 2010 Daisy Janie. All rights reserved. All designs, images & ideas contained herein are the sole property of Daisy Janie and may be reproduced for personal use only. Producing, selling and redistributing without prior written consent is prohibited.

- + Prewash your fabric.
- + Use a seam allowance between 3/8 - 1/2"
- + To mitigate fraying, sew a zigzag stitch along selvages or clip with pinking shears.

This pattern goes together quickly & easily! Measurements are given as a range with regard to the starting size of your fabric & the size of your boxed corner. This allows you to make a multitude of produce bags, each as big or as little as you prefer. Don't miss an opportunity to forego a plastic bag!



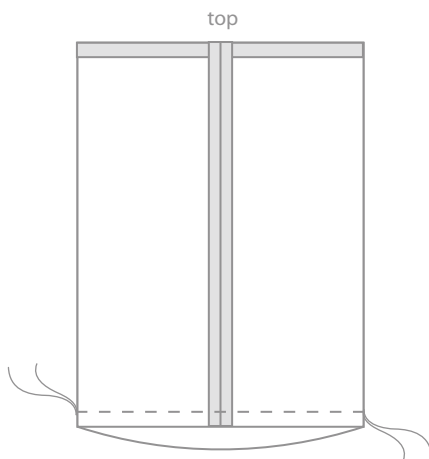
1. Cut desired size, 18" h by 18-22" w. Trim 4" strip from top. Set aside for Handle & Looper (see page 2).



2. Fold over top edge approx. 1/2", press. Fold over another 1/2", press.



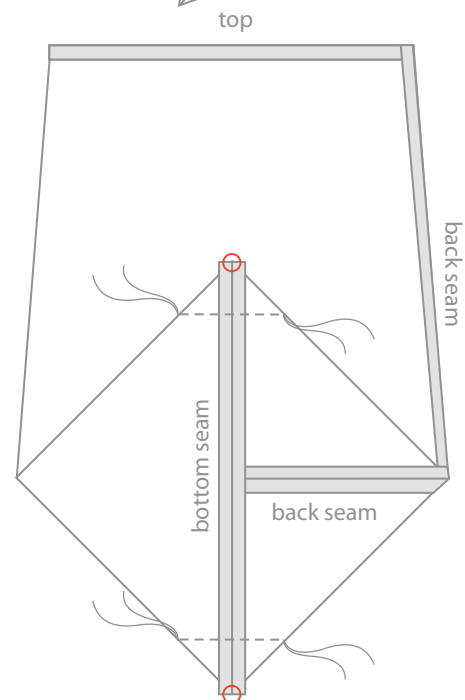
3. Fold in half as shown, right sides together. Sew down side seam.



4. Turn fabric so the side seam sewn in step 2 now runs down the middle. Sew across bottom.



turn 90°

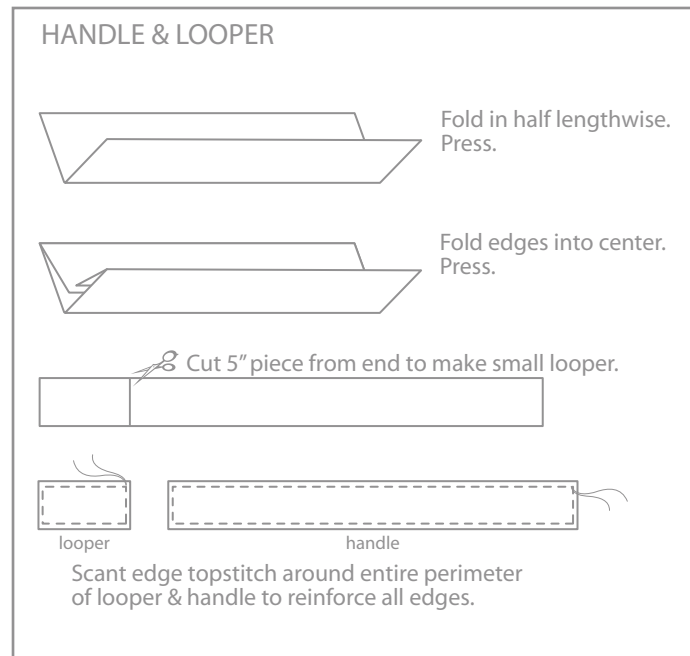


For a flat bag, skip step 5 and proceed to page 2.
For a bag with depth, continue to step 5.

5. Turn bag 90 degrees. Orient as shown so bottom of bag forms a diamond.

Measure & mark as desired from corners at top & bottom of diamond (shown with red circles), between 1/2" and 1-1/2" for varying bag depths.

Sew across marks, forming closed triangles in those corners.



6. Lay bag flat so back seam is toward work table.

Position ends of handle approx. 1" from each side and raw ends are flush with turned edge at top as shown. Pin in place.

Turn bag over so back seam is facing you.

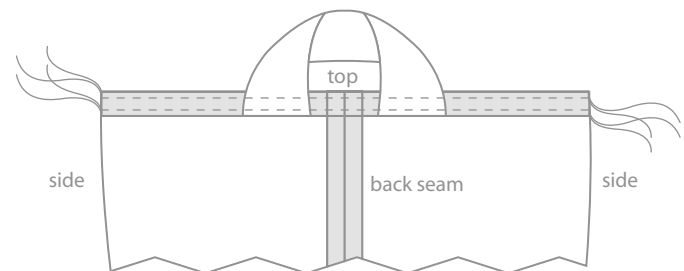
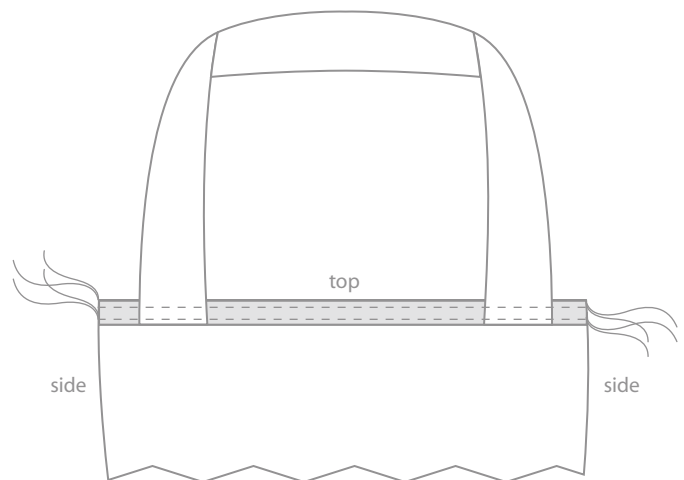
Position ends of looper approx. 1/2" from back seam and raw ends are flush with turned edge at top as shown. Pin in place.

7. Sew scant edge topstitch around entire bag opening, backstitching over handle & looper for reinforcement.

Sew another row of topstitching around entire bag opening, approx. 1/4" from first row.

8. Turn bag rightside out. Voila!

To cinch bag when using, simply thread handle through looper & grab handle to hold.



www.daisyjanie.com

© 2010 Daisy Janie. All rights reserved. All designs, images & ideas contained herein are the sole property of Daisy Janie and may be reproduced for personal use only. Producing, selling and redistributing without prior written consent is prohibited.