

Project #3: Small Tote Bag



This is the 3rd project in our “Get Kids Sewing Series” with **SINGER**[®] and SkipToMyLou.org. Tote your school supplies, gadgets, coupons or any number of items in style with this quick and easy bag. Use different coordinating fabrics to match your own style.

Shopping List:

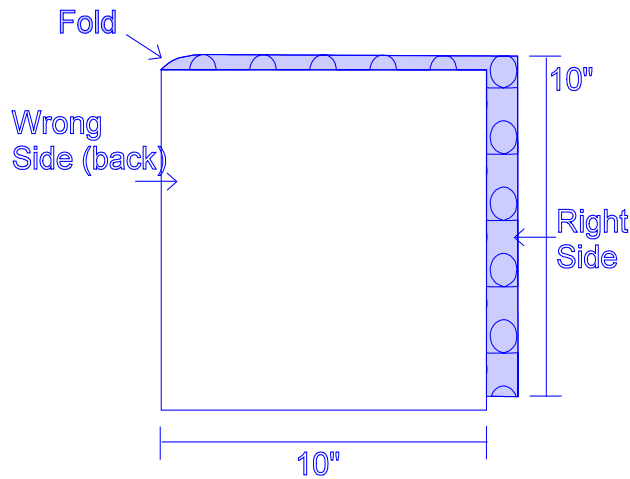
- ½ yard 44-45” wide sturdy woven fabric (tote & handles)
- ¼ yard 44-45” wide sturdy woven fabric (tote band)
- All-purpose sewing thread
- Corner turner (or chop stick)
- Seam gauge
- Straight pins

What to Cut:

1. Cut one 10" X 20" main tote fabric.
 2. Cut two 5" X 20" main tote fabric for handles.
 3. Cut one 8" X 20" band fabric.
-

How to Assemble:

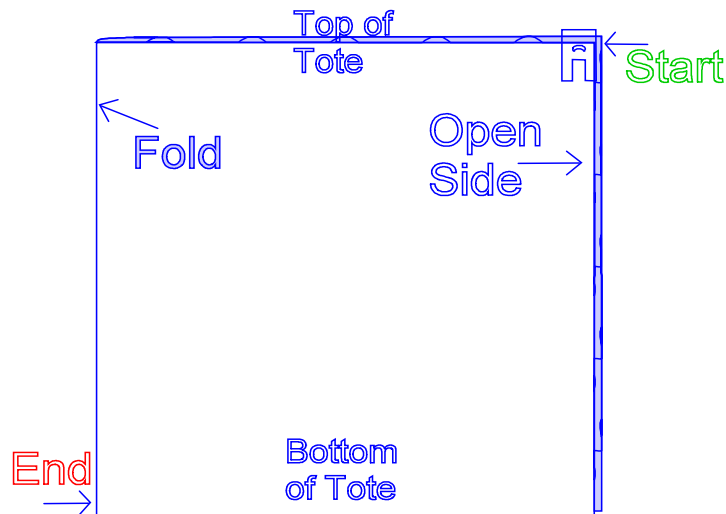
1. Fold the 10" X 20" fabric in half to make a 10" X 10" square. Make sure the right (pretty) side is inside the square.



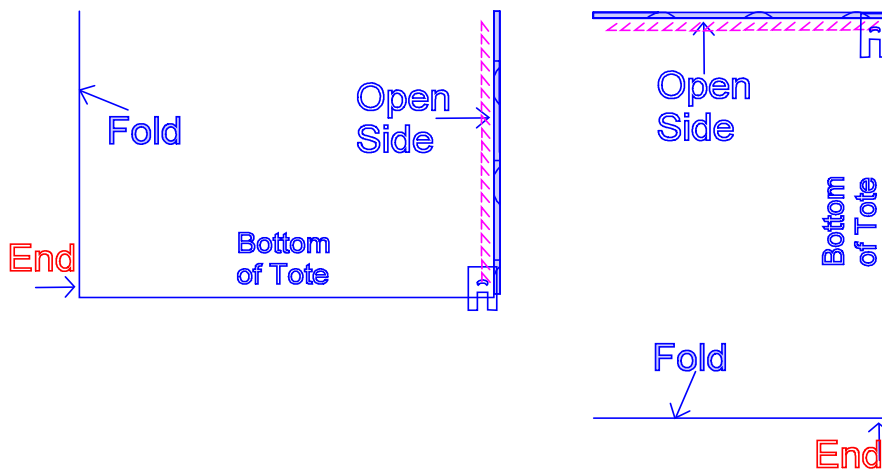
2. Choose a stretch overcast stitch from your machine. I like to use a seam and overcast stitch. The SINGER One has two perfect stitches to choose from:



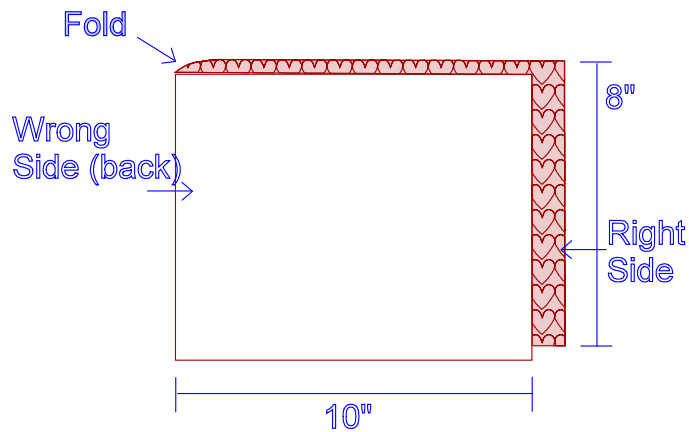
3. Adjust the tension according to your sewing machine owner's manual recommendations.
4. Raise the presser foot.
5. Place the fabric under the presser foot of your machine.
6. Lower the presser foot. Guide the fabric along the right side of your presser foot.



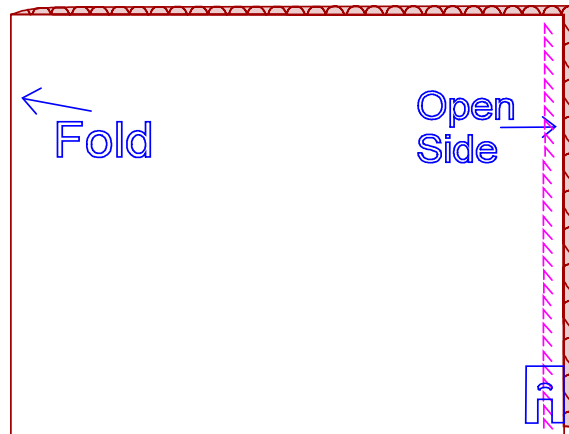
7. Start at the open side of the tote and then sew to just before the bottom of the tote. TIP: The bottom of the tote depends upon the fabric you choose. If the fabric has a definite up/down pattern, make sure you sew the opening so when you turn the tote inside out, the pattern is in the proper direction.
8. Place the needle in the fabric.
9. Raise the presser foot and turn the fabric.



10. Continue sewing along the bottom of the tote to the folded side. Guide the fabric along the right side of the presser foot.
11. Remove the tote from under the presser foot and trim the threads.
12. Turn the tote inside out.
13. Push out the corners with the corner turner (or chopstick).
14. Fold the 8" X 20" piece of fabric in half to make an 8" X 10" rectangle. Make sure the right (pretty) side is inside the rectangle.

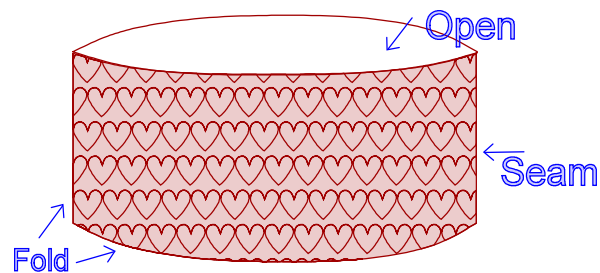


15. Sew along the 8" side using the same stitch as the tote.

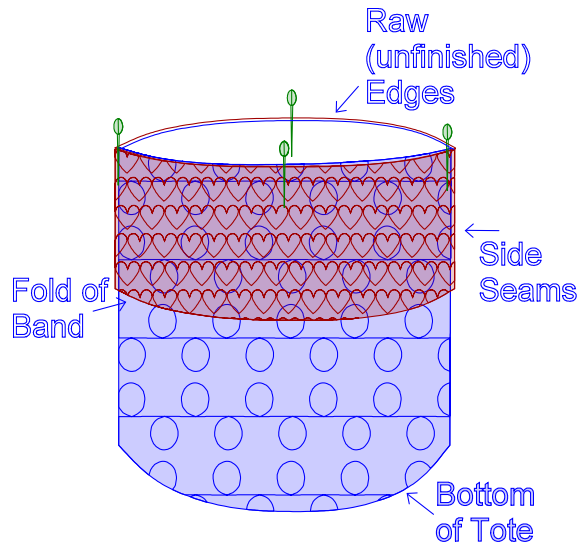


16. Now fold the band in half lengthwise with the wrong (back) side in and the right (pretty) side out so you have a 4" X 20" circle of fabric.

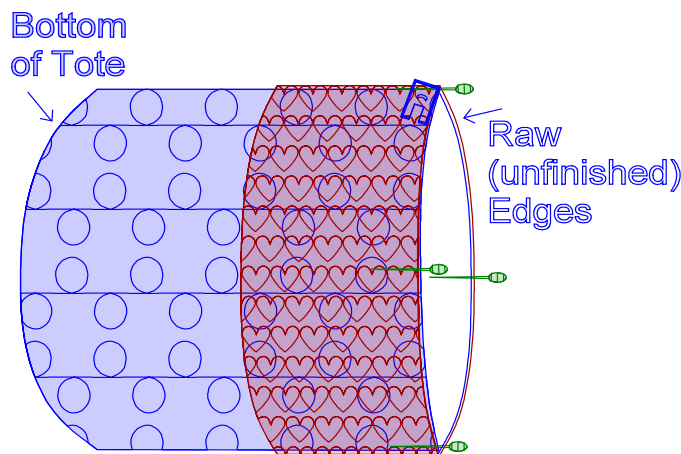
17. Iron the fold of the band fabric. BE CAREFUL! The iron gets hot. Make sure you have someone help.



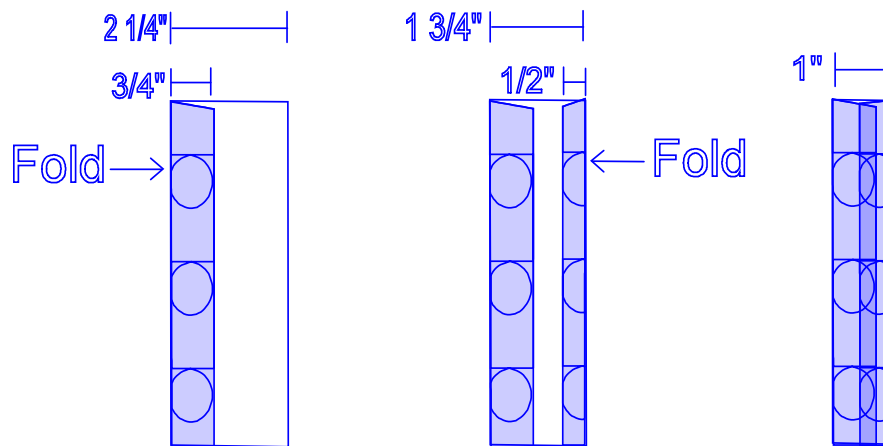
18. Now comes the construction! Place the circle band fabric around the top of the main tote piece. Line up the side seams on both the band and the tote. Also line up the top raw (unfinished) edge of the tote and the raw (unfinished) edge of the band. The folded edge of the band will be pointing down toward the bottom of the tote.



19. Use a few pins to pin the band to the main tote. Place the pins perpendicular to the raw edges. DO NOT SEW OVER PINS! Remove the pins as you sew.
20. Now, set you machine for the Free Arm. Pull off the accessory tray or follow sewing machine owner's manual for how to set for a Free Arm.
21. Place the unfinished edge of the tote around the free arm. The free arm makes it easy to sew in circles and smaller places.
22. Sew on the band and through all 3 layers of fabric with the same stitch used to make the seams. Guide the fabric along the right side of the foot. Remember, DO NOT SEW OVER PINS! Remove the pins as



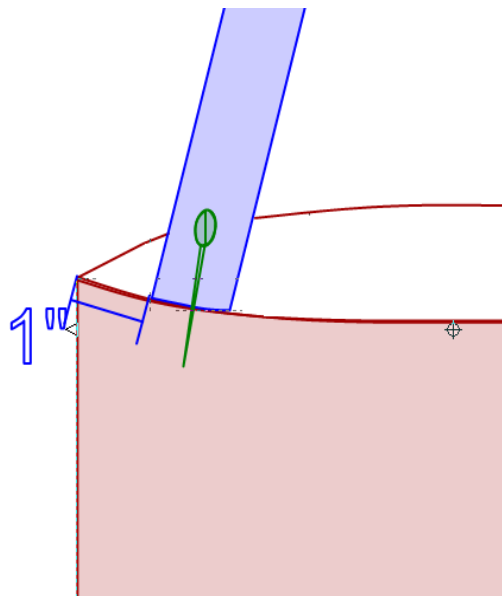
23. Sew all around the circle. When you get to where you started stitching, sew over your first stitching just a little (3 or 4 stitches) to make sure it stays secure.
24. Flip the band up and press the tote. (Remember, the iron is HOT, so have someone help you.)
25. Using your seam gauge, fold and press $\frac{3}{4}$ " of the right (pretty) side around to the wrong (back) side on one long edge of the handle pieces.
26. Fold $\frac{1}{2}$ " around to the wrong side on the other long edge. Press.
27. Now, fold the first edge with the $\frac{1}{2}$: fold over the raw (unfinished edge of the other side, aligning the fold into the center of the back of the handle so the handle is approximately 1" in width.



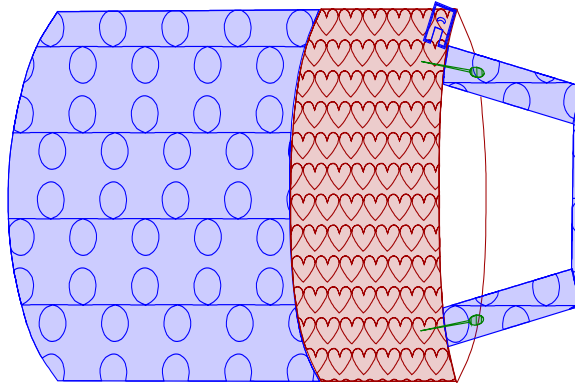
28. Place your tote handle under the presser foot with the right side (non-folded) of the handle up and the folded side down toward the feed dogs.
29. Choose a decorative stitch and sew down the center of the handle. (I like the wave stitch or leaf stitch on the SINGER® One). This stitch will hold the handle together.



30. Do this for both handles.
31. Lay the tote folded in half on a surface with the seam on the left side of the tote and the opening to the top.
32. Measure 1' from the front left side of the tote toward the center of the tote. Place the side of the handle at that 1" point.
33. Place 1" of the handle end under the band to the inside of the tote. Pin.



34. Measure 1" from the front right side of the tote toward the center of the tote. Place the side of the same handle piece at that point making a loop with the handle for the front of the tote. Pin.
35. Align the back handle the same way with 1" of the handle inside the tote and 1" from each side of the back.
36. Place the top of the tote around the free arm.
37. Line up the right side of the presser foot with top edge of the tote band.



38. Choose either a straight stitch or a decorative stitch for the stitching.
39. Starting at a side, sew around the whole top of the tote, making sure the tote handles are flat as you sew over them. Remove the pins as you sew!
40. When you finish the seam, stitch over your beginning sewing by 3 or 4 stitches.
41. Take the tote out from under the presser foot and trim your threads.
42. Sew another line of stitching around the top of the band, aligning the first row of stitching with the right side of the presser foot. These two seams will hold the handles securely.
43. Take out your tote and trim your threads.

GREAT JOB! Your tote is now complete.

SINGER is sewing made easy™